



**RJ50**  
**FLOW CONDITIONING PLATES**



**MANUFACTURING EXCELLENCE  
IN GAS AND PETROCHEMICAL MEASUREMENT**



## FLOW CONDITIONERS

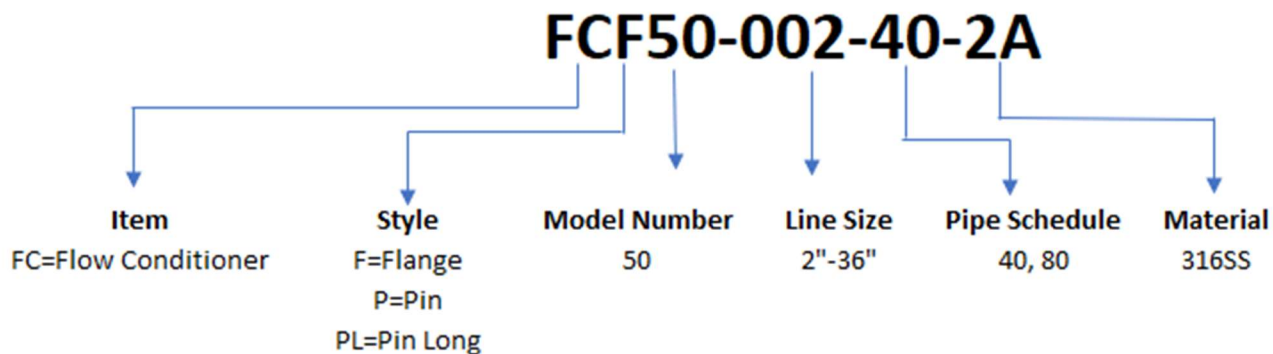
The RJ Machine Flow Conditioner was added to our supply chain in 2014 as an affordable option to achieve a repeatable fully developed flow profile while reducing pressure loss in pipelines. To comply with the American Gas Association Report No. 3 standards and testing, RJ Machine manufactures the universally accepted and expired patent design for the Laws/K-Lab/NOVA-50E type flow conditioner. Our customers can rest assured that if they install the RJ50 Flow Conditioner they will see a repeatable, fully developed flow profile and improved meter performance.

### Specifications and options:

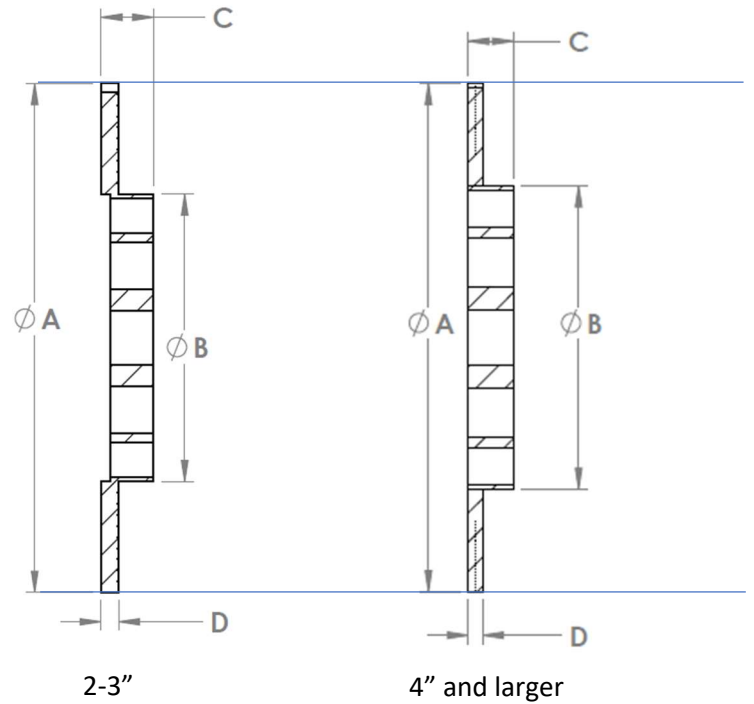
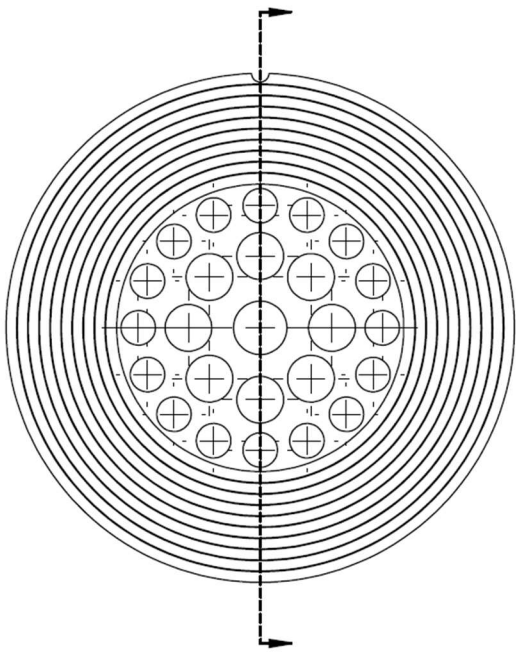
Line sizes	2 – 36" Flanged 2 –4" Pinned 2 –4" Long pinned
Pipe schedules	Sch 40 and Sch 80, others on request
Pressure class	Up to 2500# ANSI class, RF design standard, RTJ on request
Material	316 SS
Design	Meets the design specification for the NOVA 50E flow conditioner

Top dead center marking  
Lifting hook on plates over 20 kg

### Model numbers

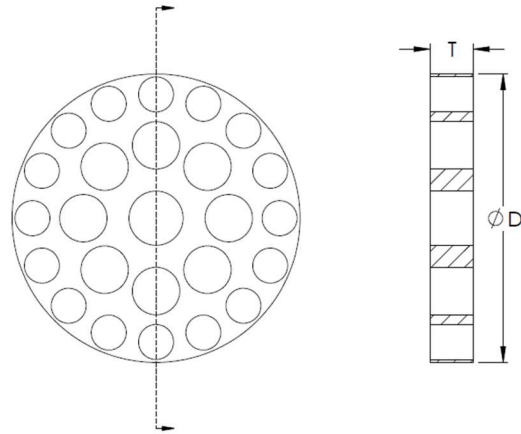


## Flanged style flow conditioners



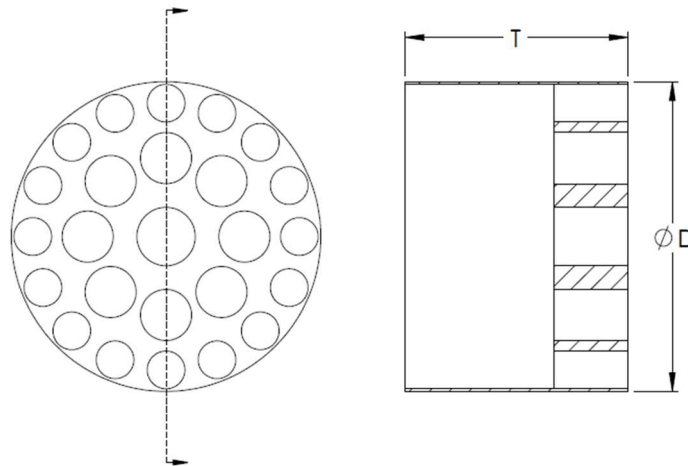
Flange style flow conditioner	Line size											
	2	3	4	6	8	10	12	16	20	24	30	36
NPS	2	3	4	6	8	10	12	16	20	24	30	36
OD (A)	3.625	5.000	6.188	8.500	10.625	12.750	15.000	18.500	23.000	27.250	33.750	40.250
Boss Diameter Sch40 (B)	2.050	3.050	4.008	6.048	7.950	9.980	11.900	14.920	18.734	22.546	28.420	34.420
Boss Diameter Sch80 (B)	1.926	2.883	3.806	5.741	7.596	9.524	11.336	14.234	17.858	-	-	-
Overall thickness Sch40 (C)	0.500	0.640	0.600	0.900	1.190	1.500	1.790	2.250	2.822	3.394	4.275	5.175
Overall thickness Sch80 (C)	0.500	0.640	0.574	0.864	1.144	1.435	1.706	2.147	2.691	-	-	-
Flange thickness (D)	0.125	0.250	0.250	0.250	0.375	0.375	0.375	0.500	0.750	0.750	1.000	1.500
Approx. wt (lbs)	0.38	1.36	2.33	5.83	12.95	22.80	36.74	72.07	146.24	242.16	480.70	868.91

## Pinned style flow conditioners



Pin style flow conditioner	Line size		
	2	3	4
NPS	2	3	4
Boss Diameter Sch40 (D)	2.040	3.038	3.986
Boss Diameter Sch80 (D)	1.912	2.870	3.786
Overall thickness Sch40 (T)	0.490	0.460	0.604
Overall thickness Sch80 (T)	0.490	0.435	0.574
Approx. wt (lbs)	0.24	0.49	1.12

## Long pinned style flow conditioners



Long pin style flow conditioner	Line size		
	2	3	4
NPS	2	3	4
Boss Diameter Sch40 (D)	2.040	3.038	3.986
Boss Diameter Sch80 (D)	1.912	2.870	3.786
Overall thickness Sch40 (T)	1.470	1.380	1.812
Overall thickness Sch80 (T)	1.470	1.305	1.722
Approx. wt (lbs)	0.27	0.57	1.29

**AXIS**

### For all your natural gas measurement needs:

- Orifice Plates
- Flow Conditioners
- Companion Flanges
- 5 Valve Manifolds
- Seal Rings
- Leveling Saddles
- Thermowells
- Full Port Ball Valves
- Complete Refurb Kits
- Replacement parts
- Mini Needle Valves
- Gauges